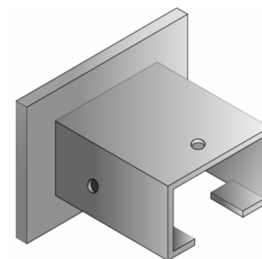




CUBICLE TRACKING ASSEMBLY INSTRUCTIONS

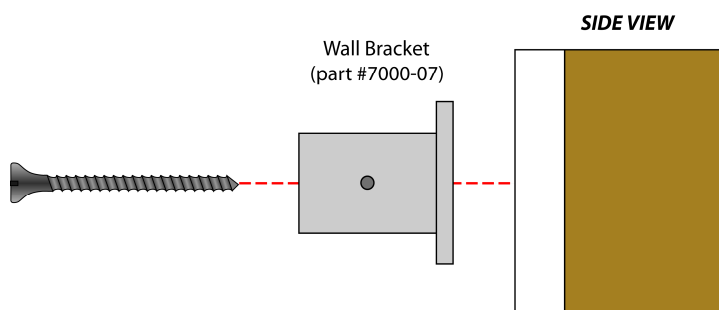
7000 SERIES – TRACK END WALL BRACKET

A track end wall bracket (part #7000-07) is used to attach the ends of suspension mounted tracks to the wall and acts as a closed end stop. This mounting greatly enhances the integrity of a suspension mounted cubicle tracking system.

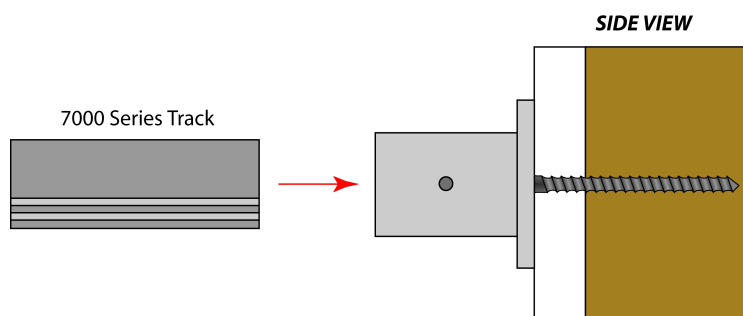


Instructions:

1. Once the suspended track system is in place, locate the track ends and mark their position on the wall. Loosen the track and swing it out of the way. Measure and attach the Wall Bracket to the wall using the appropriate mounting method (drywall & stud method illustrated here).



2. Slide the end of the track over the Wall Bracket.



3. Secure track to the Wall Bracket using a two self-tapping screws inserted into the small holes on each side of the Wall Bracket.

