

## Bedspreads

Reimagine the bed into your room's focal point with our bedspreads— a lightweight, decorative topper that covers the entire bed, allowing one to hide everything on the bed in one fell swoop while protecting bedding from dust or odors.

We work with budgets and design requirements of all types including using customers' own material (COM).



### **Bedspread Drops**

Any spread with drops over 21" will be quoted on 126" or 54" goods.

#### **126" Wide Face Goods**

When using these, the pillow tuck will be reduced with any increase in drops and/or fill weight:

- 14"-15" pillow tuck using 6 oz. fill
- 13"-14" pillow tuck using 8 oz. fill
- 12"-13" pillow tuck using 10 oz. fill.

Note that drops exceeding 21" will reduce the pillow tuck inch for inch (i.e., a 23" drop using 6 oz. fill would shorten the pillow tuck by 2 inches) without affecting the cost. However, if a full pillow tuck is required, contact us for a quote using a reverse sham.

#### **54" Wide Face Goods**

When using 126" wide colored backing with 54" wide face goods, the king is limited to a maximum drop of 21" (118" finished width). Contact us when using over 8 oz. fill.

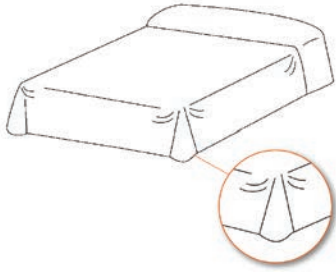
Note that the maximum finished width we can produce using pre-seamed face goods are:

- 122" with 6-8 oz. fill
- 120" using 10 oz fill
- 118" using 12 oz. fill

If additional width is required we will need to post-seam, which is not recommended for reversible spreads as the seams will be visible from the underside. Contact us if post-seaming is required.

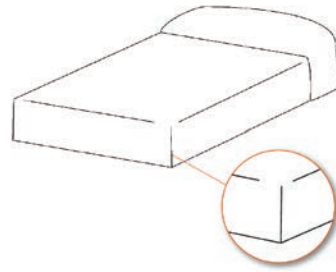
Also, queen bedspreads with drops exceeding 20" cannot be manufactured using 2 widths of 54" fabric.

## Specifications



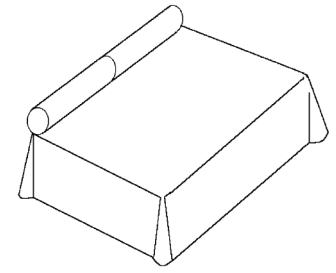
### Throw Bedspreads

Rounded corners at the foot of the bed.

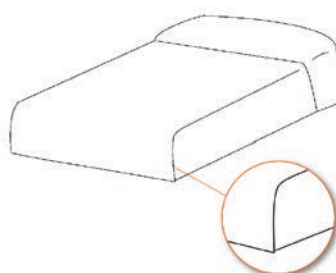


### Fitted Bedspread with Closed Corners

Split corners stitched closed at the foot of the bed.



### Studio Couch Cover

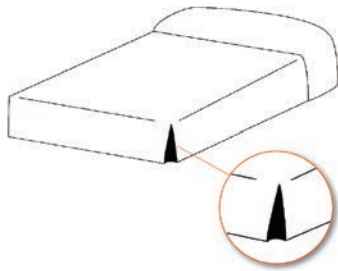


### Waterfall Fitted Bedspreads

The top of the bedspread falls over the end of the bed for the foot drop. The side drops wrap around the foot of the bed 12 to 15" under the foot drop.

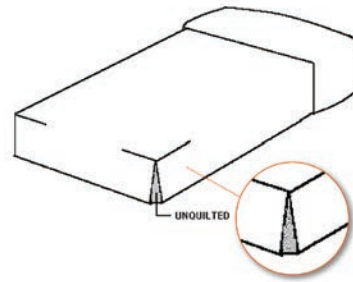
	Bedspread Size	COM Yardage 54" Wide Fabric	COM Yardage 126" Wide Fabric
<b>Twin</b>	39" x 75" x 21"	8	2.6
<b>Twin XL</b>	39" x 80" x 21"	8	2.6
<b>Double</b>	54" x 75" x 21"	8	3.1
<b>Double XL</b>	54" x 80" x 21"	8	3.1
<b>Queen</b>	60" x 80" x 21"	8 - 12	3.3
<b>Cal King</b>	72" x 80" x 21"	12	3.8
<b>Cal King Long</b>	72" x 84" x 21"	12	3.8
<b>Dual King</b>	78" x 80" x 21"	12	3.8
<b>Eastern King</b>	76" x 80" x 21"	12	3.8

Bolsters are not included in the any yardage requirements. NOTE: Yardage requirements are based on 7 oz fill. Additional yardage will be required if using larger fill. If drop exceeds standard drops listed above, please call for yardage confirmation. Must be Railroaded for 126" wide fabrics.



### Fitted Bedspreads with Tongues (Gussets)

Split corners at the foot of the bed with a tongue sewn in behind the split. The tongue may be quilted or unquilted; unquilted requires an additional 3/4 yard of material.

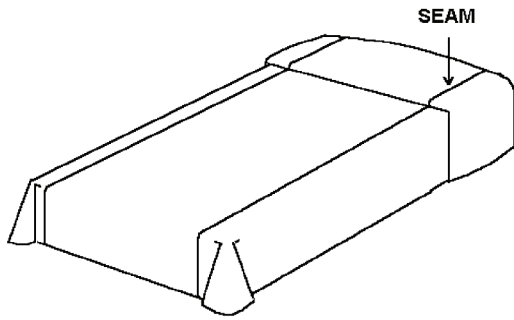


### Fitted Bedspread with Unquilted Kick Pleats

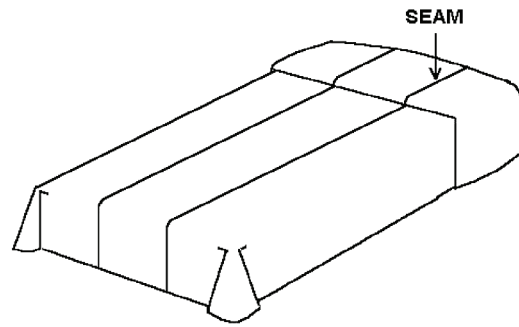
Bedspread Size		COM Yardage 54" Wide Fabric		COM Yardage 126" Wide Fabric	
		Quilted Tongue	Unquilted Tongue	Quilted Tongue	Unquilted Tongue
<b>Twin</b>	39" x 75" x 21"	8	8.75	2.6	2.9
<b>Twin XL</b>	39" x 80" x 21"	8	8.75	2.6	2.9
<b>Double</b>	54" x 75" x 21"	8	8.75	3.1	3.4
<b>Double XL</b>	54" x 80" x 21"	8	8.75	3.1	3.4
<b>Queen</b>	60" x 80" x 21"	8 - 12	8.75 - 12.75	3.3	3.7
<b>Cal King</b>	72" x 80" x 21"	12	12.75	3.8	4.1
<b>Cal King Long</b>	72" x 84" x 21"	12	12.75	3.8	4.1
<b>Dual King</b>	78" x 80" x 21"	12	12.75	3.8	4.1
<b>Eastern King</b>	76" x 80" x 21"	12	12.75	3.8	4.1

## Construction Options

For King or Queen bedspreads only. Pre-seamed, matched pattern.



**Standard 3 Piece (3.0 widths)**



**Standard 2 1/2 Cut**

If fabric repeat is 9", 13.5" or 27"