

Bed Covers

We have an assortment of bed covers to add comfort and softness to your bed, while helping you shape its scale and look. All our covers are quality constructed, have high durability and washability, and fittingly protects other bedding components from wear and tear.



Bedspreads

A lightweight, decorative topper that covers the entire bed—allowing one to hide everything on the bed in one fell swoop, while protecting bedding from dust or odors.

Bedspread Drops

Any spread with drops over 21" will be quoted on 126" or 54" goods.

126" Wide Face Goods

When using these, the pillow tuck will be reduced with any increase in drops and/or fill weight:

- 14"-15" pillow tuck using 6 oz. fill
- 13"-14" pillow tuck using 8 oz. fill
- 12"-13" pillow tuck using 10 oz. fill.

Note that drops exceeding 21" will reduce the pillow tuck inch for inch (i.e., a 23" drop using 6 oz. fill would shorten the pillow tuck by 2 inches) without affecting the cost. However, if a full pillow tuck is required, contact us for a quote using a reverse sham.

54" Wide Face Goods

When using 126" wide colored backing with 54" wide face goods, the king is limited to a maximum drop of 21" (118" finished width). Contact us when using over 8 oz. fill.

Note that the maximum finished width we can produce using pre-seamed face goods are:

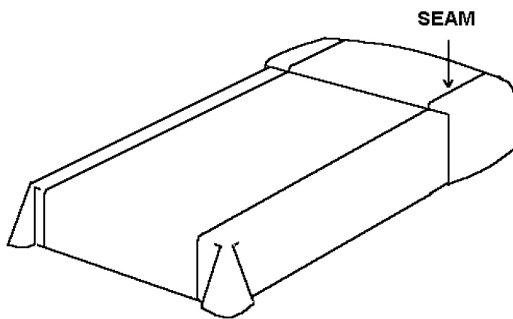
- 122" with 6-8 oz. fill
- 120" using 10 oz fill
- 118" using 12 oz. fill

If additional width is required we will need to post-seam, which is not recommended for reversible spreads as the seams will be visible from the underside. Contact us if post-seaming is required.

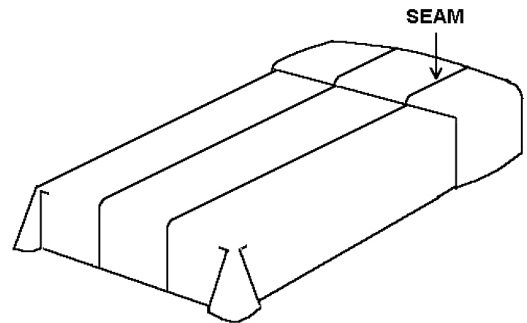
Also, queen bedspreads with drops exceeding 20" cannot be manufactured using 2 widths of 54" fabric.

Construction Options

For King or Queen bedspreads only. Pre-seamed, matched pattern.



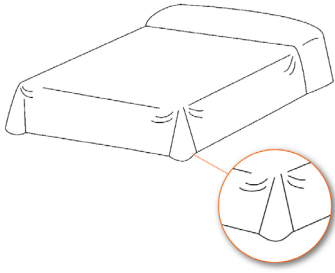
Standard 3 Piece (3.0 widths)



Standard 2 1/2 Cut

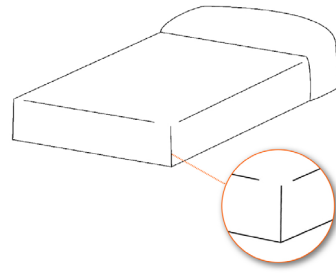
If fabric repeat is 9", 13.5" or 27"

Yardage



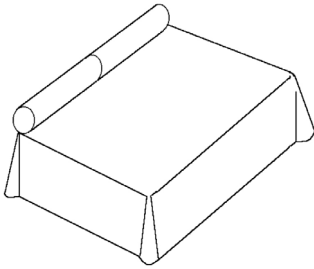
Throw Bedspreads

Rounded corners at the foot of the bed.

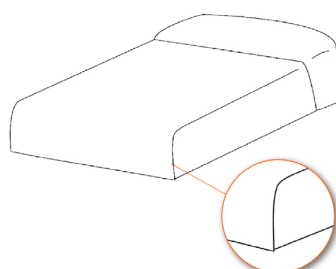


Fitted Bedspread with Closed Corners

Split corners stitched closed at the foot of the bed.



Studio Couch Cover

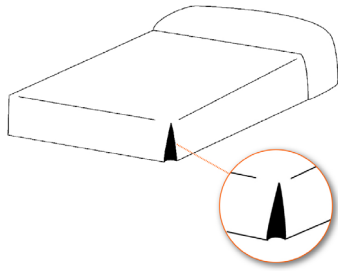


Waterfall Fitted Bedspreads

The top of the bedspread falls over the end of the bed for the foot drop. The side drops wrap around the foot of the bed 12 to 15" under the foot drop.

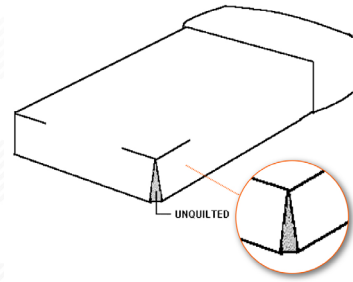
	Bedspread Size	COM Yardage 54" Wide Fabric	COM Yardage 126" Wide Fabric
Twin	39" x 75" x 21"	8	2.6
Twin XL	39" x 80" x 21"	8	2.6
Double	54" x 75" x 21"	8	3.1
Double XL	54" x 80" x 21"	8	3.1
Queen	60" x 80" x 21"	8 - 12	3.3
Cal King	72" x 80" x 21"	12	3.8
Cal King Long	72" x 84" x 21"	12	3.8
Dual King	78" x 80" x 21"	12	3.8
Eastern King	76" x 80" x 21"	12	3.8

Bolsters are not included in the any yardage requirements. NOTE: Yardage requirements are based on 7 oz fill. Additional yardage will be required if using larger fill. If drop exceeds standard drops listed above, please call for yardage confirmation. Must be Railroaded for 126" wide fabrics.



Fitted Bedspreads with Tongues (Gussets)

Split corners at the foot of the bed with a tongue sewn in behind the split. The tongue may be quilted or unquilted; unquilted requires an additional 3/4 yard of material.

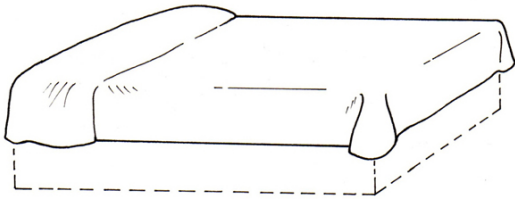


Fitted Bedspread with Unquilted Kick Pleats

Bedspread Size	COM Yardage 54" Wide Fabric		COM Yardage 126" Wide Fabric		
	Quilted Tongue	Unquilted Tongue	Quilted Tongue	Unquilted Tongue	
Twin	39" x 75" x 21"	8	8.75	2.6	2.9
Twin XL	39" x 80" x 21"	8	8.75	2.6	2.9
Double	54" x 75" x 21"	8	8.75	3.1	3.4
Double XL	54" x 80" x 21"	8	8.75	3.1	3.4
Queen	60" x 80" x 21"	8 - 12	8.75 - 12.75	3.3	3.7
Cal King	72" x 80" x 21"	12	12.75	3.8	4.1
Cal King Long	72" x 84" x 21"	12	12.75	3.8	4.1
Dual King	78" x 80" x 21"	12	12.75	3.8	4.1
Eastern King	76" x 80" x 21"	12	12.75	3.8	4.1

Coverlets

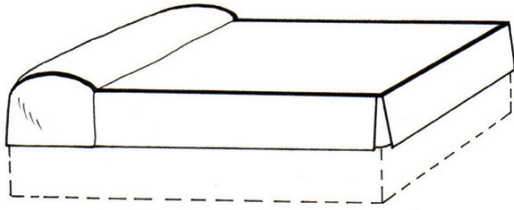
Normally works as a bed accent, this extra layer of bedding does not touch the floor and normally does not cover the pillows. Usually of thinner build, they are preferred covers for summer as they gather less heat. It's one of the most versatile covers and can be made out of different types of fabric.



Throw Coverlet

Rounded corners at the foot of the bed.

Bed	Size	Yardage
Twin	39" x 75" x 12-13"	7.5
Twin XL	39" x 80" x 12-13"	7.5
Double	54" x 75" x 12-13"	7.5
Double XL	54" x 80" x 12-13"	7.5
Queen	60" x 80" x 12-13"	7.5
Cal King	72" x 80" x 12-13"	11
Cal King Long	72" x 84" x 12-13"	11
Dual King	78" x 80" x 12-13"	11
Eastern King	76" x 80" x 12-13"	11



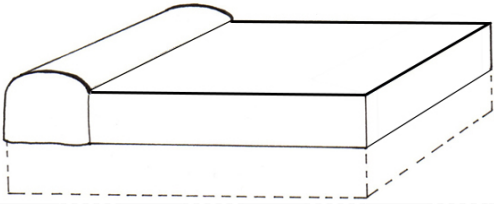
Fitted Coverlet with Tongues (gussets)

Split corners at the foot of the bed with a tongue sewn in behind the split. The tongue may be quilted or unquilted.

These are also the dimensions for **Fitted Coverlet with Unquilted Kick Pleats**.

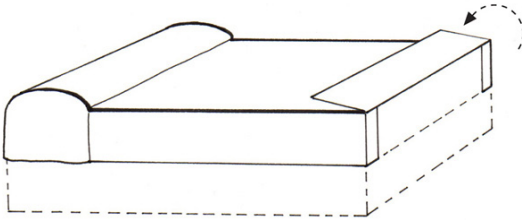
Bed	Size	COM Yardage 54" Wide Fabric		COM Yardage 126" Wide Fabric	
		Quilted Tongue	Unquilted Tongue	Quilted Tongue	Unquilted Tongue
Twin	39" x 75" x 12-13"	7.5	8.3	2.2	2.5
Twin XL	39" x 80" x 12-13"	7.5	8.3	2.2	2.5
Double	54" x 75" x 12-13"	7.5	8.3	2.6	2.9
Double XL	54" x 80" x 12-13"	7.5	8.3	2.6	2.9
Queen	60" x 80" x 12-13"	7.5	8.3	2.8	3.1
Cal King	72" x 80" x 12-13"	11	11.8	3.2	3.5
Cal King Long	72" x 84" x 12-13"	11	11.8	3.2	3.5
Dual King	78" x 80" x 12-13"	11	11.8	3.3	3.6
Eastern King	76" x 80" x 12-13"	11	11.8	3.3	3.6

NOTE: Yardage requirements are based on 7 oz fill. Additional yardage will be required if using larger fill. If drop exceeds standard drops listed above, please call for yardage confirmation.



Fitted Coverlet with Closed Corners

Split corners stitched closed at the foot of the bed.



Waterfall Fitted Coverlet

The top of the bedspread falls over the end of the bed for the foot drop. The side drops wrap around the foot of the bed 12 to 15 inches under the foot drop.

Bed	Size	COM Yardage 54" Wide Fabric	COM Yardage 126" Wide Fabric
Twin	39" x 75" x 12-13"	7.5	2.2
Twin XL	39" x 80" x 12-13"	7.5	2.2
Double	54" x 75" x 12-13"	7.5	2.6
Double XL	54" x 80" x 12-13"	7.5	2.6
Queen	60" x 80" x 12-13"	7.5	2.8
Cal King	72" x 80" x 12-13"	11	3.2
Cal King Long	72" x 84" x 12-13"	11	3.2
Dual King	78" x 80" x 12-13"	11	3.3
Eastern King	76" x 80" x 12-13"	11	3.3

NOTE: Yardage requirements are based on 7 oz fill. Additional yardage will be required if using larger fill. If drop exceeds standard drops listed above, please call for yardage confirmation.



Duvet Covers & Inserts

A thicker version of a comforter, it has an envelope-type enclosure so the cover can be easily removed and laundered. Choose from synthetic inserts with varying levels of fill. Zippered, flat tops, and corner tie enclosure options are available.

Standard Sizes

- Double: 83" x 95"
- Queen 90" x 95"
- Eastern King 102" x 95"

Construction

Unquilted with down-filled or synthetic down-like polyester fill insert

Style

Zipper or Velcro Closure with ¼" welt (sizes available); Button Closure

Seams

- Over 110" fabrics = seamless on face & underside
- 54" fabrics = with felled (rolled) seam when joined

Closure

Zippers, velcro, button, or flat tops

Trim

Corded or uncorded edges

Yardage

12.6 yards if using 54" fabric

Face Fabric

Depends on fiber content— ask Fabtex rep for details

Thread

- #23 nylon multifilament color-coordinated with face fabric
- Monofilament thread for outline quilting

Inserts

Shell: 230-thread count, 100% cambric cotton, with matching piping
Machine washable: Yes

Insert Name	Fill				With attachment loops?	Construction
	Type	Double volume	Queen volume	King volume		
Year-Round White Down	Hypoallergenic 550 fill power White Down	24 oz.	26 oz.	31 oz.	Yes	Sewn-Thru-Box to prevent the fill from shifting
Warmer White Goose Down	Hypoallergenic 600 fill power White Goose Down	30 oz.	32 oz.	36 oz.	Yes	
Regal Loft Down Alternative	Siliconized blown-in synthetic fiber	44 oz.	48 oz.	54 oz.	Yes	
White Down Blanket	Lighter-weight White Down filled blanket	18 oz.	20 oz.	23 oz.		Quilted into 14" boxes
Regal Loft Down Alternative Blanket	Lighter-weight siliconized blown-in synthetic fiber	33 oz.	36 oz.	40 oz.		