

## Blinds

Get versatile light and privacy control with horizontal blinds. Inexpensive, long-lasting, and easy to repair, our blinds are water & mold-resistant, and have our signature anti-static coat that repels dust and prevents buildup.



## Aluminum Blinds

These blinds are sturdier and more energy efficient compared to their vinyl counterparts. They reflect the sun's rays more effectively— leading to cooler rooms in the summer and warmer in the winter while preserving your room's crisp and sleek atmosphere.

## Faux Wood Blinds

Keeps the beautiful aesthetic and warmth of wood but is much more durable and moisture resistant. They don't warp or fade and can work with high humidity areas like bath or laundry rooms.



# Aluminum Blinds

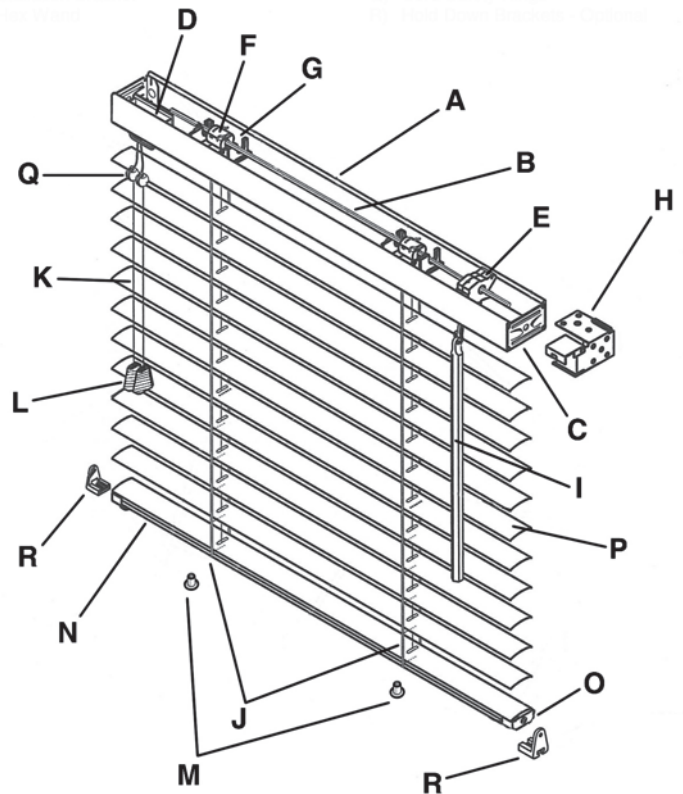
1.5" X 1" MINI

## Key Features

- Phosphate-treated, stamped steel headrails
- Injection molded components
- Baked, dual-coated polyester paint for extremely tough protective finish
- Heavy-duty acetal, low friction thermoplastic hardware
- Snap-in component design for quick repairs
- Anti-static pre-coating to repel dust and fight buildup

## Technical Information

- A. Headrail (steel)
- B. Pinion Rod (Hex Tilt Rod)
- C. End Stiffeners
- D. Cord Lock
- E. Wand Tilter
- F. Ladder Drum
- G. Cradle
- H. Box Installation Bracket
- I. Clear Hex Wand
- J. Cord Ladder
- K. Lift Cord 1.4mm
- L. Cord Tassels
- M. Bottomrail Plugs
- N. Bottomrail – C Shape
- O. Bottomrail End Caps
- P. Slats
- Q. Cord Safety Rings
- R. Hold Down Brackets - Optional



# Product Specifications

## Blind Options

1 1/2" x 1" Headrail with 6-Gauge or 8-Gauge Aluminum Slats

## Valance Options

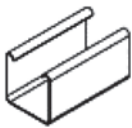
Single Slat, Double Slat, Deluxe Double Slat

Color Coordinated

## Size Recommendations

- Minimum Width – 9"
- Minimum Drop – 9"
- Maximum Width – 96"
- Maximum Drop – 96"

Blinds may be ordered larger if required. Optional 2 or 3 blinds on a single headrail are available as well.



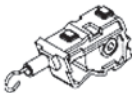
### Headrail

- Polyester baked enamel – color coordinated
- Phosphate treated steel – 1 1/2" x 1" high
- Wall thickness – 0.024" (before paint)



### Bottomrail Color Coordinated

- Steel – C shape
- Phosphate treated steel
- Wall thickness – 0.024" (before paint)
- Clear plastic end caps



### Wand Tilt Control Option

- Clutch prevents over-rotation and repairs
- Worm & gear entirely enclosed in acetal thermoplastic housing



### Lift Control (Cord Lock)

- Snap-in design with stainless steel wear guard where cords pass
- "Crash Proof" safety feature that locks the blind automatically upon release of cords

### Control Locations

Standard, Reverse, Same Left, Same Right



### Cord Ladder

Color Coordinated

Polyester braided cord ladders with adequate overlap of slats in closed position for proper control

- Maximum spacing between rout holes is 20"
- Options:
  - Builder Ladder: 22.5mm
  - Contract Ladder: 21.5mm (14.2 Slats/Ft.)
  - Classic Ladder: 19.5mm (15.7 Slats/Ft.)
  - Privacy Ladder: 18.0mm (16.9 Slats/Ft.)

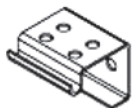
Privacy ladder features an offset route hole that provides for increased light blocking.



### Lift Cords

Color Coordinated

1.4mm polyester braided cords



### Mounting Hardware

- Universal box brackets (color coordinated)
- Center supports on blinds wider than 60"
- Extension & Hold down brackets (when requested)

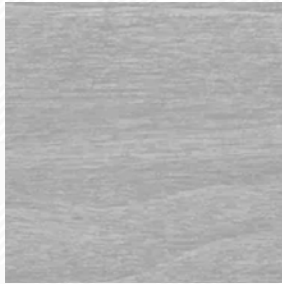
# Faux Wood Blinds

2"

## Available Colors



**Alabaster**



**Frosted Oak**



**Granite**



**Gray Wash**



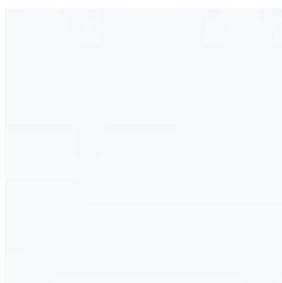
**Honey**



**Kona**



**Pebble**



**Snow White**



**Tobacco**

## Key Features

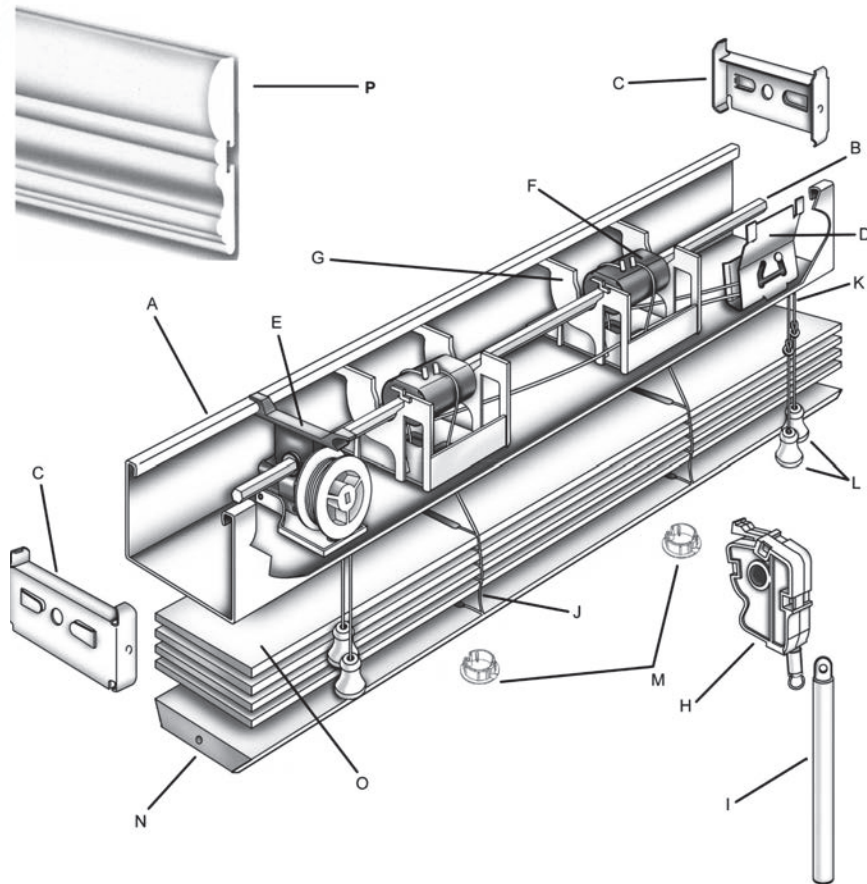
- Heavy duty metal and plastic components with quiet rotation
- Comes in Smooth and RealGrain colors
- No lead additives and NFPA 701 fire-rated
- Anti-static pre-coating to repel dust and fight buildup

## Technical Information

- A. Low Profile Headrail (Steel)
- B. Pinion Rod (Hex Tilt Rod)
- C. End Stiffeners
- D. Cord Lock
- E. Cord Tilter
- F. Ladder Drum

- G. Cradle
- H. Wand Tilter
- I. Wand
- J. Cord Ladder
- K. Lift Cord 1.8mm
- L. Cord Tassels

- M. Bottom rail Plugs
- N. Bottom rail – Trapezoid shown
- O. Slats
- P. Royal Valance



# Product Specifications

## Valance Options

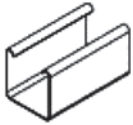
- 3.25" tall Royal Valance
- 6" tall Barrington Valance
- Single valance maximum width: 9 feet
- Flush cut ends available
- Returns
  - Inside Mount = 1.25"
  - Outside Mount = 3.5"
  - Smallest Available = 1.25"

## Size Recommendations

- Minimum Width – 9"
  - Minimum Drop – 9"
  - Maximum Width – 96"
  - Maximum Drop – 96"
- Blinds may be ordered larger if required. Optional 2 or 3 blinds on a single headrail are available as well.

## Cutout

Maximum 4.5" width



### Headrail

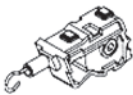
- Polyester baked enamel – color coordinated
- Phosphate treated steel – 2" wide x 1.5" tall
- Wall thickness 0.018" (before paint)

### Bottomrail Color Coordinated

- Trapezoid shade for tight slat closure

### Other Headrail Channel Hardware:

- Headrail components are made of metal and low-friction acetal thermoplastic
- Snap-in design allows for quick and easy repair if necessary



### Wand Tilt Control Option

Not available for 2.5" model

- Durable steel gear & stem mechanism
- Worm & gear entirely enclosed in acetal thermoplastic housing



### Cord Tilt Control Option

- Steel gear & housing mechanism allows acetal thermoplastic wheel to rotate smoothly with minimal noise

### Control Restrictions

- Under 11" wide = center tilt control with no lift mechanism
- 11" to 15" wide = split controls; standard or reverse
- Over 15" wide = same side or split controls

### Control Locations

- Standard
- Reverse
- Same Left
- Same Right

### Lift Control (Cord Lock)



- Snap-in design with stainless steel wear guard where cords pass
- "Crash Proof" safety feature that locks the blind automatically upon release of cords



### Mounting Hardware

- Universal box brackets (color coordinated)
- Center supports on blinds wider than 60"
- Extension & Hold down brackets (when requested)



### **Cord Ladder**

Color Coordinated

Polyester braided cord ladders with adequate overlap of slats in closed position for proper control

- Maximum spacing between rout holes is 11"
- Options:
  - Standard & Routless
  - Cloth Tape (Privacy Ladder)
  - Vinyl Tape (Privacy Ladder)



### **Lift Cords**

Color Coordinated

1.8mm polyester braided cords

### **Slats**

- PVC Resin (base material), Methyltin Mercaptide (stabilizer), Calcium Carbonate (filler), Titanium Dioxide (UV inhibitor), Methyl Methacrylate (lubricant), Ethylenebis (lubricant), Octabenzene (UV inhibitor).
- Lead Free
- NFPA 701

### **Specialty Options**

- Standard L/R Controls – cord tilt only
- Multi band headrails - 2-on-1 and 3-on-1 headrail blinds
  - Light gap between blinds on a single headrail is 0.125"
  - Maximum size is 144" wide and must be 3-on-1
- Slanted Top "A" Frame Blinds